

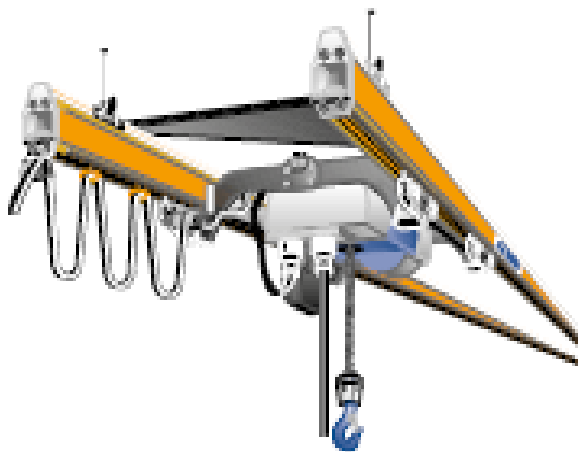


ABUS HB-System

Summary of types, ratings and key dimensions

Movement	Design	Illustration	Capacity	Max. crane girder length	Profile
Linear transport	Monorail track		to 2.000 kg	-	HB110S*) HB150S*) HB190S*) HB250
	Double-rail track		to 2.000 kg	-	HB160 HB200 HB250



ABUS ZSB double-rail system

Linear point-to-point coverage
Load capacity: up to 2 t

- wide suspension spacing
- chain hoist installed between rails for improved lift height
- extremely low-build design
- optional electric hoist travel
- optional mobile control