

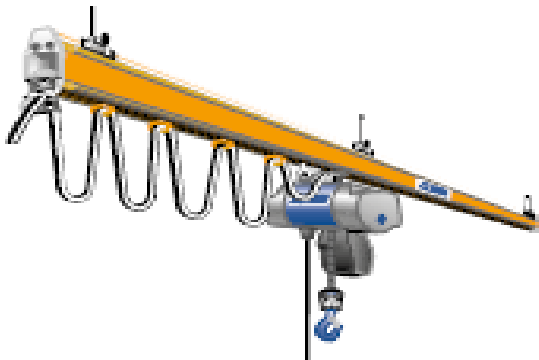


ABUS HB-System

Summary of types, ratings and key dimensions

Movement	Design	Illustration	Capacity	Max. crane girder length	Profile
Linear transport	Monorail track		to 2.000 kg	-	HB110S*) HB150S*) HB190S*) HB250
	Double-rail track		to 2.000 kg	-	HB160 HB200 HB250



ABUS ESB monorail

Linear point-to-point coverage

Load capacity: up to 2 t

- curved sections available as an option
- low headroom
- wide suspension spacing
- optional electric hoist travel